

CHT

CREATE HOPEFUL
TOMORROW

DGB1-63/DGB1-63H

Miniature Circuit Breakers

Product Description

DGB1-63/DGB1-63H Miniature Circuit Breakers with 6KA/10kA breaking capacity was designed to provide protection against short circuit and overload for domestic, commercial and industrial electrical installations



Miniature Circuit Breakers

DGB1-63/DGB1-63H

CHT

Type designation

DGB1	-	63H	/	1P	/	C	/	40	/	OF2
Enterprise code		Breaking capacity H: 10kA No mark: 6kA Frame rated current (A)		Number of poles: 1P/1P+N/2P/3P/3P+N/4P		Instantaneous Trip characteristic type: B, C, D, CK, K		Rated current (A) 1,2,4,5,6,10,16,20 25,32,40,50,63		accessories MX2/OF2/SD2 MV+MN2

The main technical parameters

Product name	DGB1-63	DGB1-63H
Standards	IEC60898-1	IEC60898-1
Certificate	KEMA, SAA, CE, SEMKO, CCC, CB	KEMA, SAA, CE, SEMKO, CCC, CB
Electrical characteristics		
Number of poles	1P/1P+N/2P/3P/3P+N/4P	1P/1P+N/2P/3P/3P+N/4P
Rated frequency (Hz)	50/60	50/60
Frame current (A) Inm	63	63
Rated current (A) In	1,2,4,5,6,10,16,20,25,32,40,50,63	1,2,4,5,6,10,16,20,25,32,40,50,63
Rated voltage (V)	120/240-220/240-240-230 /400-400-240/415-415-220 V	120/240-220/240-240-230 /400-400-240/415-415-220 V
Rated insulation voltage (V) Ui	500V 50/60Hz according to EN 60898-1	500V 50/60Hz according to EN 60898-1
Maximum operating voltage	220/400/415 VAC	220/400/415 VAC
Interrupting capacity voltage	230/400/415 V	230/400/415 V
Rated impulse withstand voltage (kV)Uimp	4	4
Rated short-circuit breaking capacity (kA)Ics	6	7.5
Rated short-circuit breaking capacity (kA)Icn	6	10
Instantaneous trip characteristics	B,C,D, CK,K	B,C,D, CK,K
Trip form	Thermal magnetic trip	Thermal magnetic trip
Pollution level	2	2
Over tensión category	III	III
Material group	III	III
Tropicalization	2	2
Energy limiting class: according to EN60898-1	3	3
Instantaneous trip ranges	5 to 10 In	5 to 10 In
Over voltage category at 240/120V	According to IEC 60664-1 for Vimp:4KV	According to IEC 60664-1 for Vimp:4KV
Dielectric test voltage at ind. Freq. for 1 min	2 kV	2 kV
Electrical and mechanical accessories	MV+MN2 (overvoltage and undervoltage), OF2 (auxiliary), SD2 (alarm), MX2 (shunt)	MV+MN2 (overvoltage and undervoltage), OF2 (auxiliary), SD2 (alarm), MX2 (shunt)
Mechanical properties		
Electrical life	10000	10000
Mechanical life	20000	20000
Protection grade	IP20	IP20
Indicator window	Contact status indication	Contact status indication

Miniature Circuit Breakers

DGB1-63/DGB1-63H

CHT

Product name	DGB1-63	DGB1-63H
Normal operation conditions and installation characteristics		
Reference ambient calibration air temperature	30 °C	30 °C
Ambient temperature	-5°C~ +40°C	-5°C~ +40°C
Storage temperature	-35°C ~ +70°C	-35°C ~ +70°C
Installation site altitude	≤ 2000m	≤ 2000m
Terminals	Fixed with screw	Fixed with screw
Maximum wiring capacity	4-25mm ² 18-4AWG	4-25mm ² 18-4AWG
Maximum limit torque Nm	3.5	3.5
Installation category	Class III	Class III
Installation method	35mm standard rail	35mm standard rail
Incoming method	Upper and lower	Upper and lower
Installation position	0° to 360°	0° to 360°

The main technical parameters

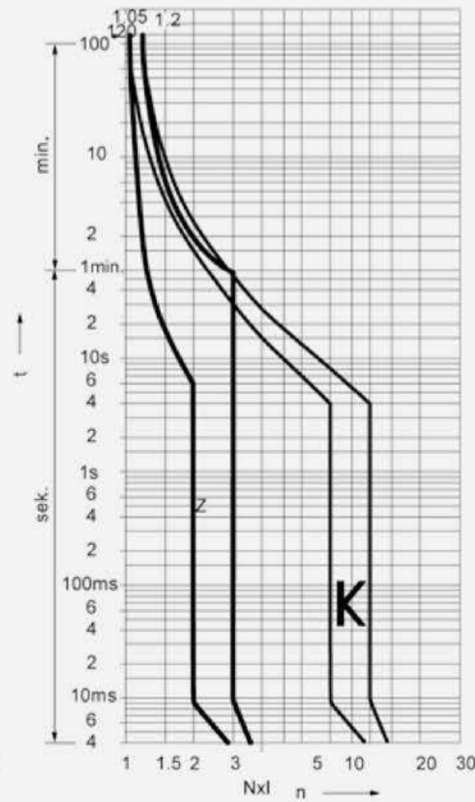
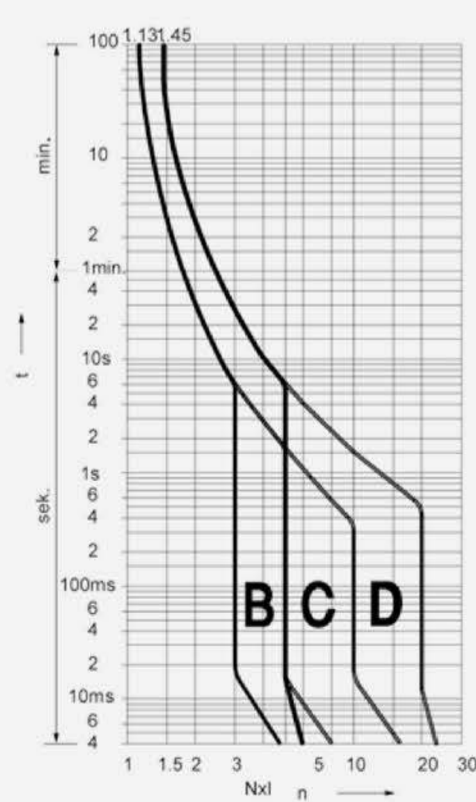
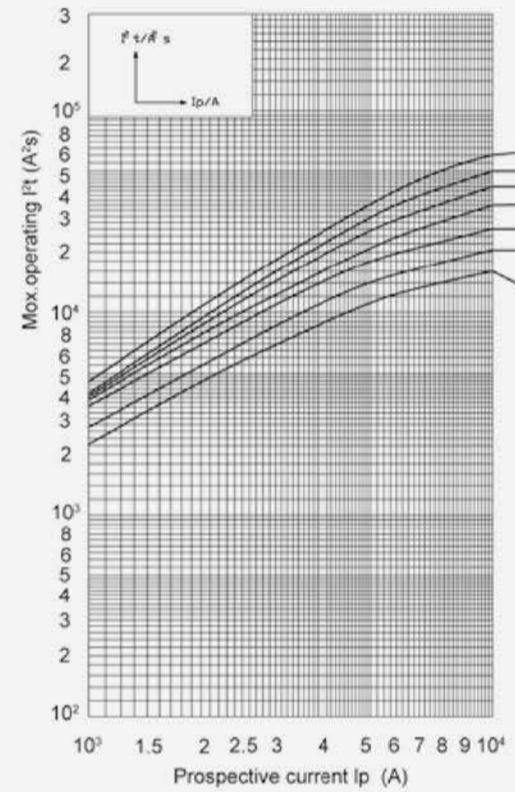
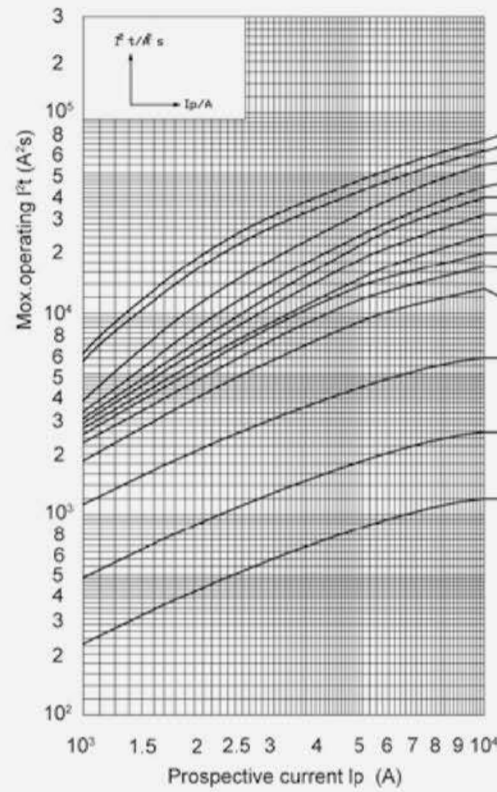
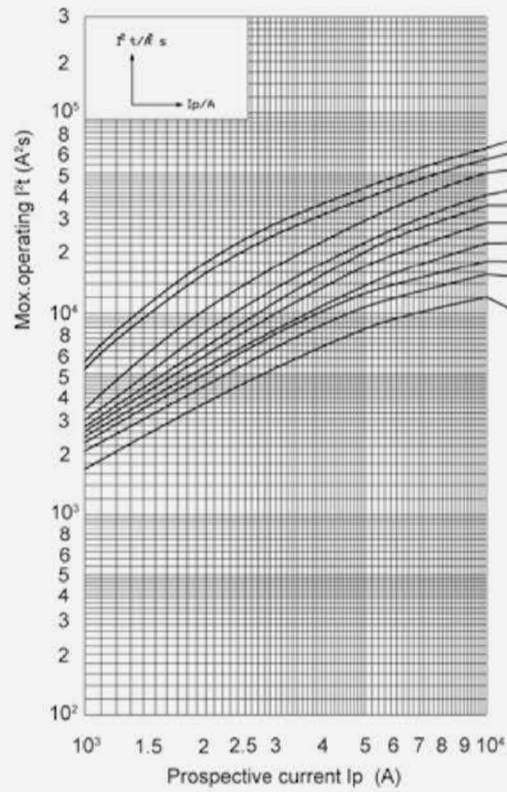
Action performance of circuit breaker						
	Rated current	Start state	Specified time	Expected results	Remarks	
Thermal Release	1-63A	Cold state	1.13 In	t ≤ 1h	Not trip	
	1-63A	Hot state	1.45 In	t < 1h	Trip	"Immediately after a) test, the current increases to the specified value within 5s."
	≤32	Cold state	2.55 In	1s < t < 60s	Trip	
	>32			1s < t < 120s	Trip	
Magnetic Release	1-63A	Cold state	3In(B type)	t ≤ 0.1s	Not trip	"Turn on the auxiliary switch for making current"
			5In (C type)			
			10In(D type)			
	1-63A	Cold state	5In(B type)	t < 0.1s	Trip	"Turn on the auxiliary switch for making current"
			10In(C type)			
			14In(D type)			

Wiring: Suitable for wire connection of 16mm². The screws according to the tightening torque 3.5N·m

Rated current (A)	Nominal cross area of copper wire (mm ²)
6	1.5
10	2.5
16, 20	4
25	6
32	10
40, 50	16
63	25

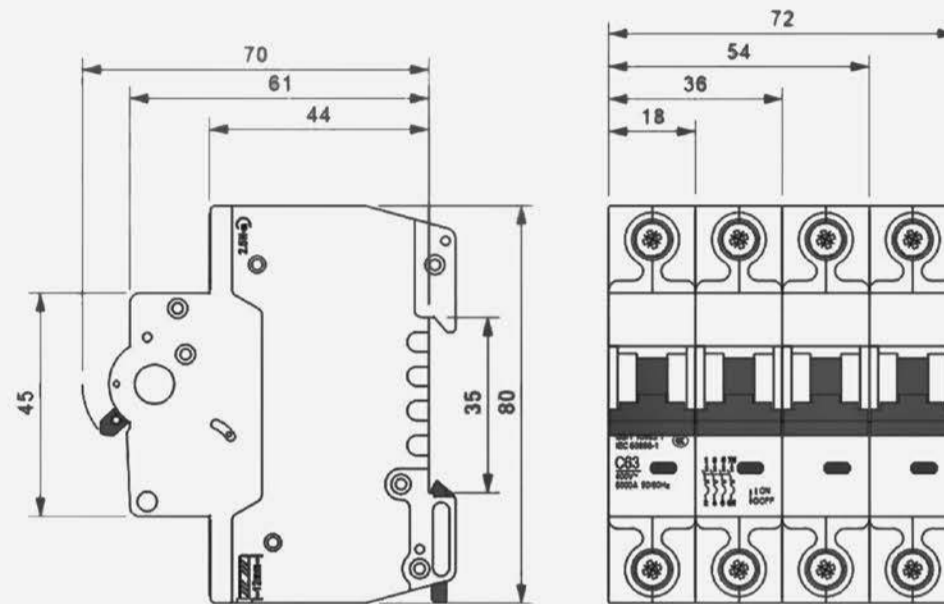
Tripping Characteristic Curves

IEC 60898-1



Product and installation dimensions(MM)

DGB1-63/DGB1-63H should be installed on DIN rail terminal and can be connected to the wire less than 25mm²



Order information

- Please specify the product model and specification, and the type, rated current, number of poles, and order quantity of the instantaneous release when ordering.
- Order example: DGB1(H) series miniature circuit breaker, breaking capacity 10kA, C-type instantaneous release, rated current 32A, two-pole, 1000 units.
- Specified as: DGB1-63H C32 2P 1000 units